

1

2

3

4

5

6

A

A

B

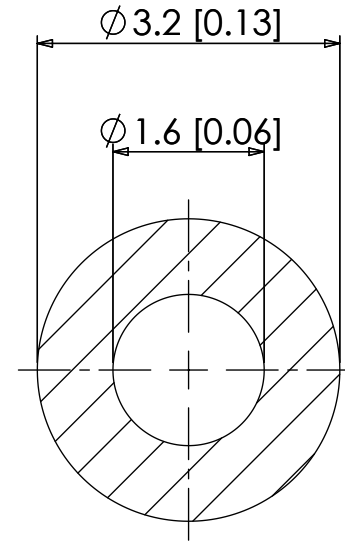
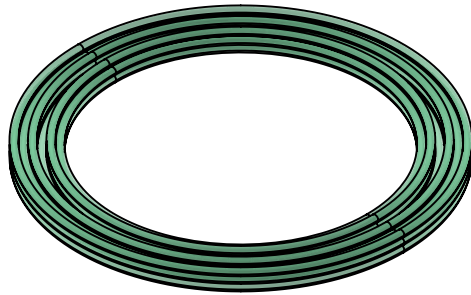
B

C

C

D

D



CROSS SECTION OF HOSE

1	WTsang	TTsang	SBurton	17/05/2017	
REV	CREATED	CHECKED	APPROVED	DWG DATE	REF

MATERIAL: POLYURETHANE

If dimensional information is critical, please contact Eoxshop.com for confirmation. All dimensions are in accordance with the manufacturers drawings and are subject to change without prior notice.

EOXSHOP  
 TEL: +44 (0) 23 9226 6031  
 WWW.EOXSHOP.COM  
 SALES@EOXSHOP.COM



TITLE: 3.2MM (1/8") OD X .066" ID 85A POLYURETHANE, TRANSPARENT GREEN - 15M

	DIM'S mm[inch]	SCALE NTS	SIZE A4	SHEET 1 / 1	DOCUMENT NUMBER E-T-170082	REVISION 1
--	-------------------	--------------	------------	----------------	-------------------------------	---------------

1

2

3

4

5

6