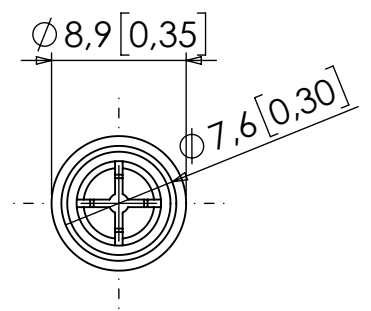
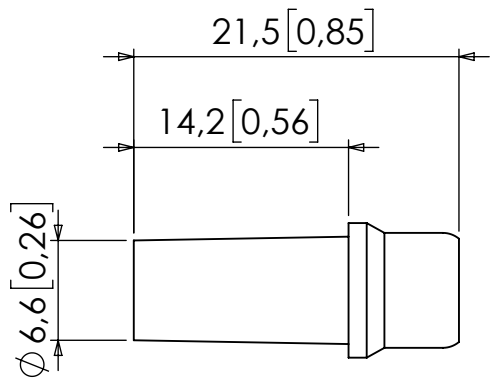


O.D. FLASH: 0.015 MAX (0.4mm)
 GATE VESTIGE 0.01 MAX (0.3mm)
 EMBEDDED PARTICLES, BUBBLES, SPOTS, STAINS: 0.3MM² MAX. NO MORE THAN 3 PER PART.



2				16/07/2019	
REV	CREATED	CHECKED	APPROVED	DWG DATE	REF
MATERIAL: GAMMA STABLE POLYPROPYLENE, SILICONE					
If dimensional information is critical, please contact Eoxshop.com for confirmation. All dimensions are in accordance with the manufacturers drawings and are subject to change without prior notice.				EOXSHOP TEL: +44 (0) 23 9226 6031 WWW.EOXSHOP.COM SALES@EOXSHOP.COM	
TITLE: LUER ACTIVATED CATHETER HECK VALVE, GAMMA STABLE WHITE POLYPROPYLENE					
	DIM'S mm[inch]	SCALE NTS	SIZE A4	SHEET 1 / 1	DOCUMENT NUMBER E-N-190036
					REVISION 2

