

1

2

3

4

5

6

A

A

B

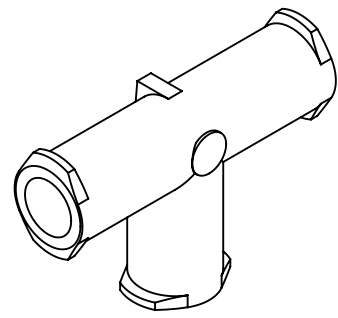
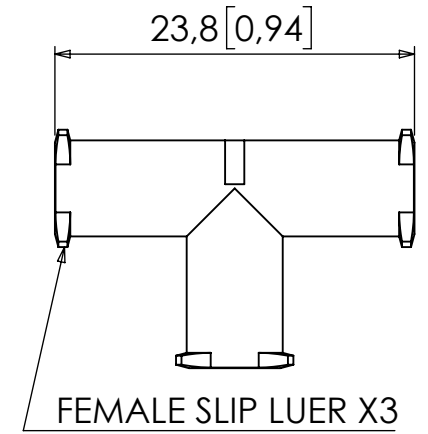
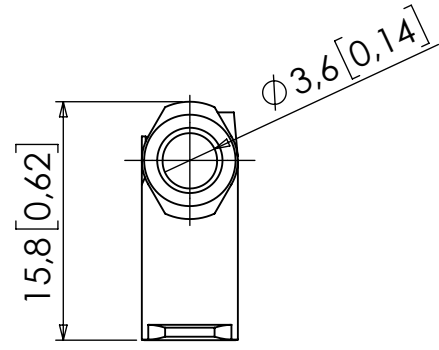
B

C

C

D

D



|                                                                                                                                                                                                       |                   |              |            |                                                                              |                               |
|-------------------------------------------------------------------------------------------------------------------------------------------------------------------------------------------------------|-------------------|--------------|------------|------------------------------------------------------------------------------|-------------------------------|
| 1                                                                                                                                                                                                     |                   |              |            | 24/07/2023                                                                   | FIRST RELEASE                 |
| REV                                                                                                                                                                                                   | CREATED           | CHECKED      | APPROVED   | DWG DATE                                                                     | REVISION SUMMARY              |
| MATERIAL: ANIMAL FREE POLYPROPYLENE                                                                                                                                                                   |                   |              |            |                                                                              |                               |
| If dimensional information is critical, please contact Eoxshop.com for confirmation. All dimensions are in accordance with the manufacturers drawings and are subject to change without prior notice. |                   |              |            | EOXSHOP<br>TEL: +44 (0) 23 9226 6031<br>WWW.EOXSHOP.COM<br>SALES@EOXSHOP.COM |                               |
| TITLE: FEMALE SLIP LUER TEE COUPLER, ANIMAL FREE POLYPROPYLENE                                                                                                                                        |                   |              |            |                                                                              |                               |
|                                                                                                                                                                                                       | DIM'S<br>mm[inch] | SCALE<br>NTS | SIZE<br>A4 | SHEET<br>1 / 1                                                               | DOCUMENT NUMBER<br>E-F-230061 |
|                                                                                                                                                                                                       |                   |              |            |                                                                              | REVISION<br>1                 |

1

2

3

4

5

6