

1

2

3

4

5

6

A

A

B

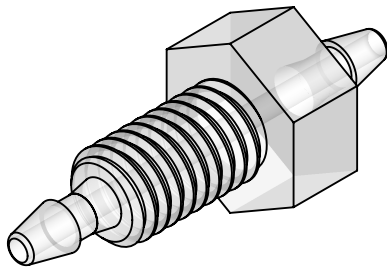
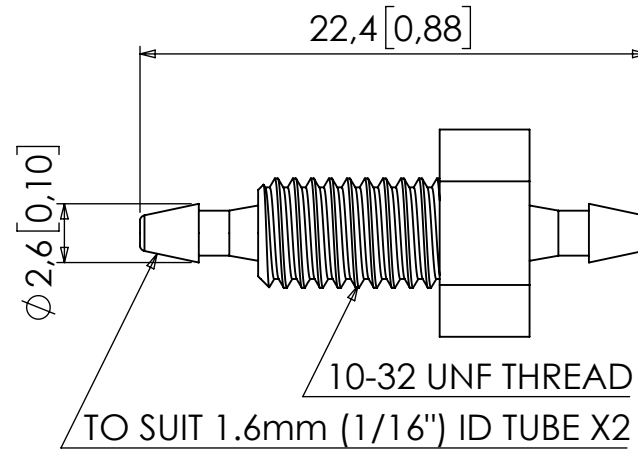
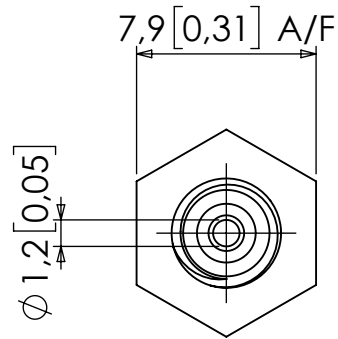
B

C

C

D

D



1				04/06/2024	FIRST RELEASE
REV	CREATED	CHECKED	APPROVED	DWG DATE	REVISION SUMMARY

MATERIAL: ANIMAL FREE POLYPROPYLENE

If dimensional information is critical, please contact Eoxshop.com for confirmation. All dimensions are in accordance with the manufacturers drawings and are subject to change without prior notice.

EOXSHOP
TEL: +44 (0) 23 9226 6031
WWW.EOXSHOP.COM
SALES@EOXSHOP.COM



TITLE: ANIMAL FREE POLYPROPYLENE EQUAL PANEL MOUNT CONNECTOR, 1.6MM (1/16") ID TUBE AND 10-32 UNF THREAD

	DIM'S mm[inch]	SCALE NTS	SIZE A4	SHEET 1 / 1	DOCUMENT NUMBER E-F-210125	REVISION 1
--	-------------------	--------------	------------	----------------	-------------------------------	---------------