

1

2

3

4

5

6

A

A

B

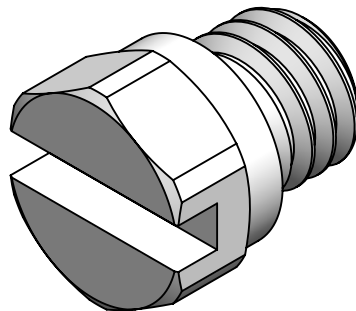
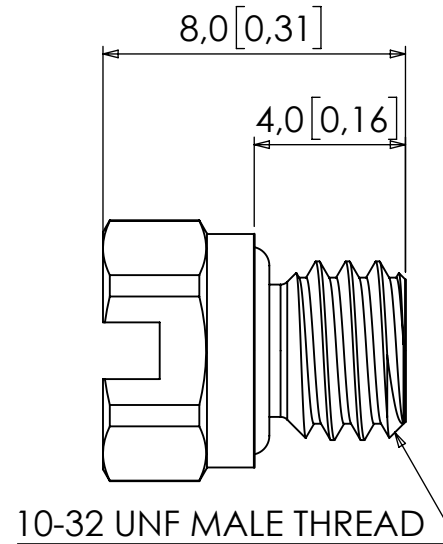
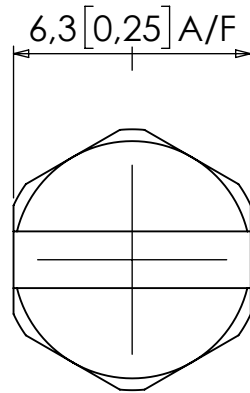
B

C

C

D

D



1				30/10/2024	FIRST RELEASE
REV	CREATED	CHECKED	APPROVED	DWG DATE	REVISION SUMMARY
MATERIAL: NICKEL PLATED BRASS, FKM					
If dimensional information is critical, please contact Eoxshop.com for confirmation. All dimensions are in accordance with the manufacturers drawings and are subject to change without prior notice.				EOXSHOP TEL: +44 (0) 23 9226 6031 WWW.EOXSHOP.COM SALES@EOXSHOP.COM	
TITLE: NICKEL PLATED BRASS BLANKING PLUG, FKM SEAL, 10-32 UNF MALE THREAD					
	DIM'S mm[inch]	SCALE NTS	SIZE A4	SHEET 1 / 1	DOCUMENT NUMBER E-F-1U-PG-NPB-V
					REVISION 1